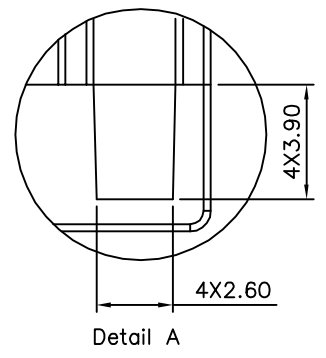
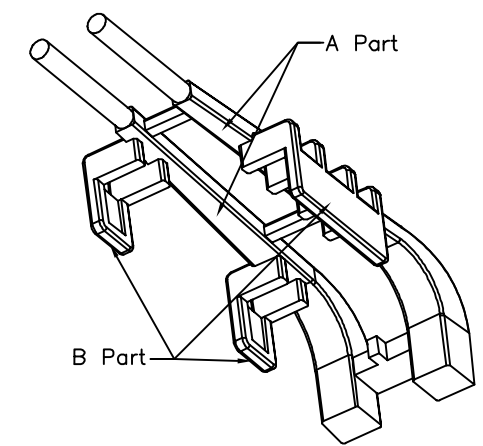
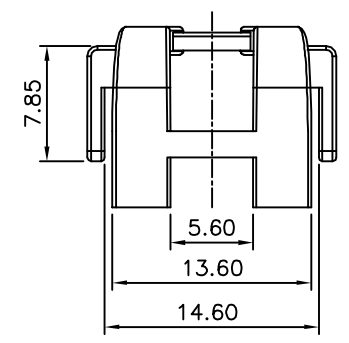
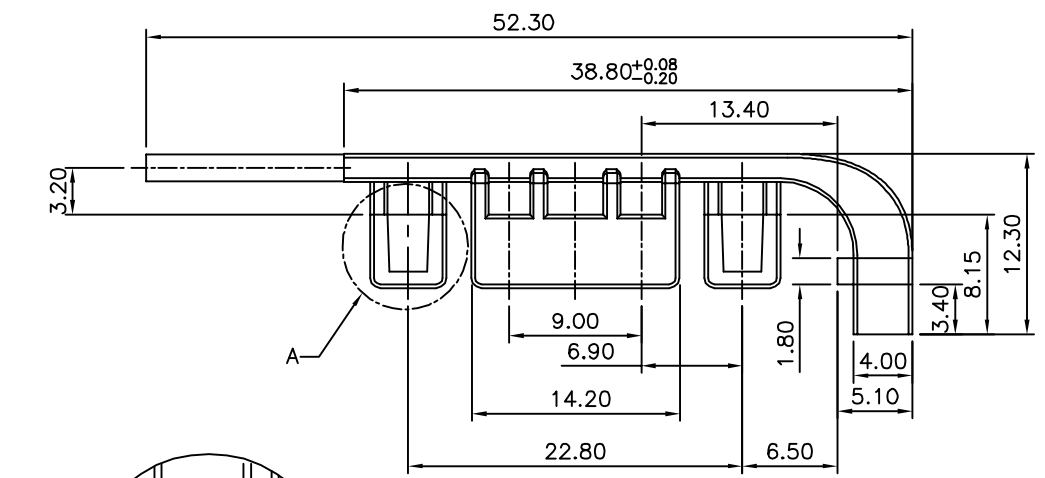
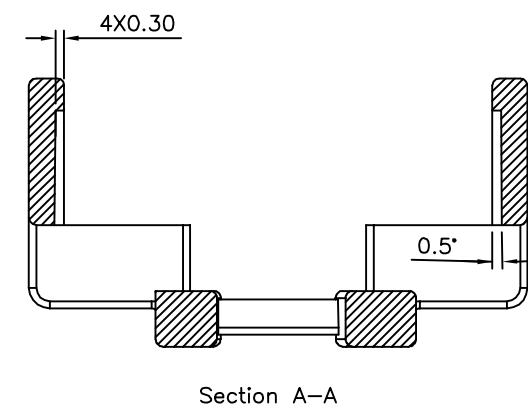
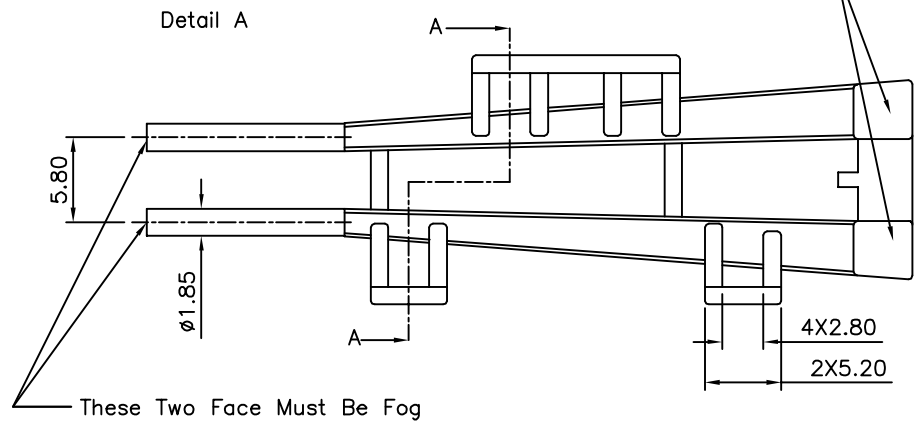


**SPECIFICATION**  
 Housing:PC  
 RoHS Compliant



These Two Face Must Be Bright



**4UCON** 元化興業股份有限公司  
 4UCON TECHNOLOGY INC.

DRAWING No.		APPROVED BY		UNLESS OTHERWISE SPECIFIED TOLERANCES ARE .X ±0.30 .XX ±0.20 .XXX ±0.10 ANG. ±3°
11070		EMILY		
		CHECKED BY		
		HZF		
		DRAWING BY		UNIT mm
		HAO		
SCALE	NONE	REV.	A1	

NO.	REV.	REVISIONS	CHK	DATE
△ A1		Modify Data	HZF	10/23/2015
△ A0		NEW RELEASE	HZF	10/30/2008