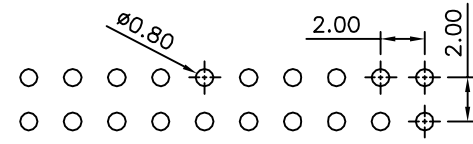
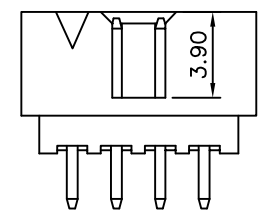
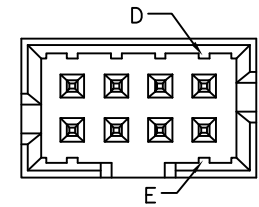


**△△ SPECIFICATION**

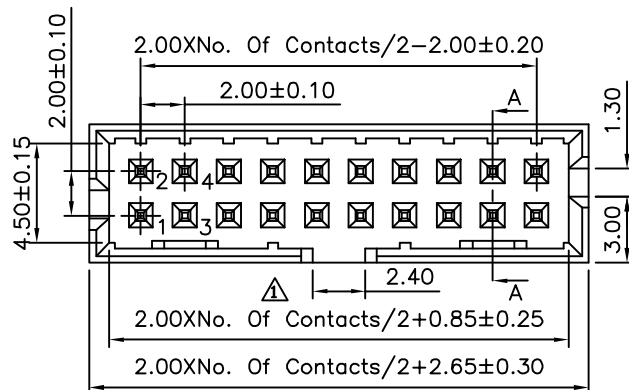
Current Rating:2.0 Amp  
 Withstand Voltage:500V AC/DC  
 Contact Resistance:20 Milliohms Max.  
 Insulation Resistance:1000 Megaohms Min.  
 Operation Temperature:-40°C~+105°C  
 Contact:Brass,Gold Flash Over All,Over Nickel  
 Insulator:PA9T+30%G.F.(UL94V-0),Black  
 RoHS Compliant



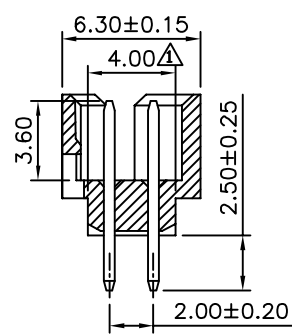
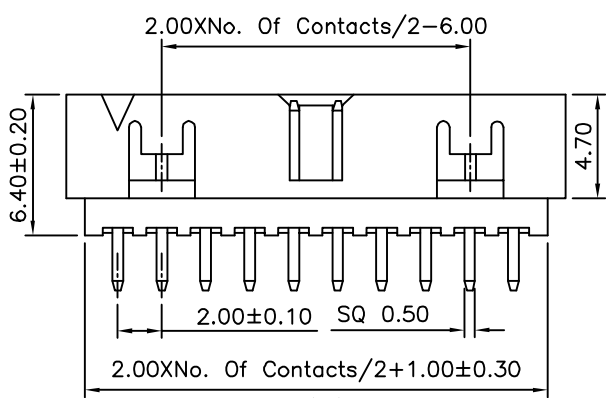
△ Recommended P.C.B. Layout(Top Side)  
 (PCB Board Tolerance±0.05)



△ 6,8,10 Pin  
 (6 Pin Without Identirication "D", "E")



14,16,20,24,26,30,34,40,44,50,60 Pin △



Section A-A

**4UCON** 元化興業股份有限公司  
 4UCON TECHNOLOGY INC.

DRAWING No.		APPROVED BY		UNLESS OTHERWISE SPECIFIED TOLERANCES ARE △ .X ±0.40 △ .XX ±0.25 △ .XXX ±0.15 ANG. ±3°
11140		EMILY		
		CHECKED BY		
		HZF		
		DRAWING BY		
		GAO		
SCALE	NONE	REV.	A2	UNIT mm

NO.	REV.	REVISIONS	CHK	DATE
△ A2		Modify Data	HZF	11/21/2012
△ A1		Modify Data	HZF	07/30/2010
△ A0		NEW RELEASE	SHIN	05/23/2007