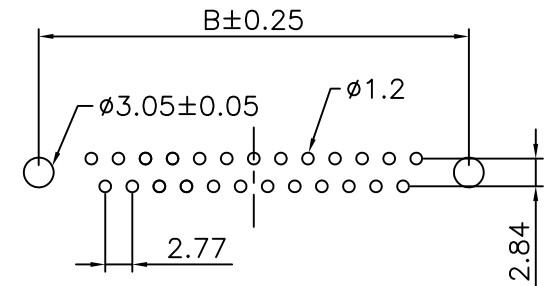
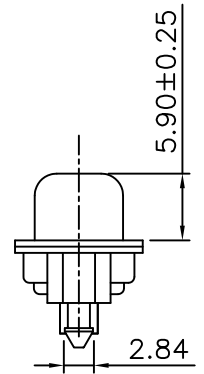
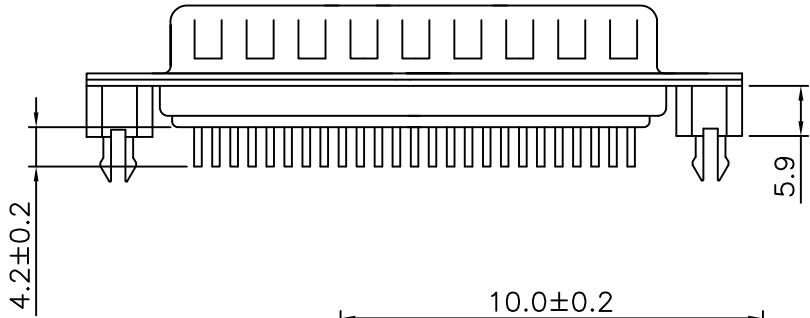
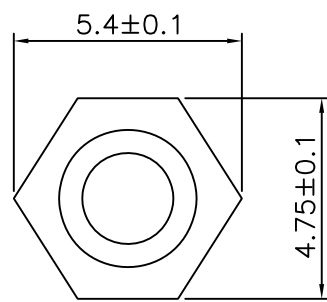
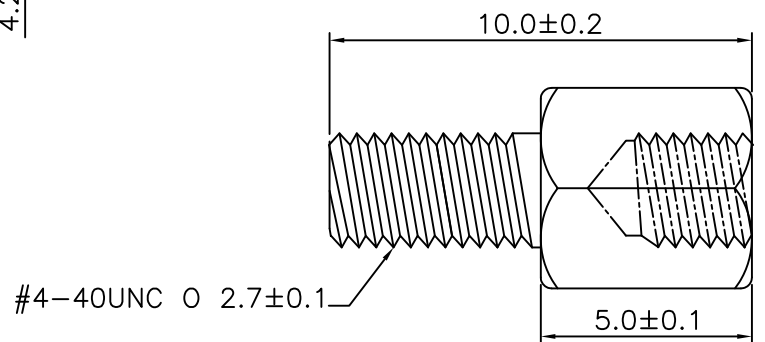


**SPECIFICATIONS:**  
 Contact Current Rating: 1 Ampere  
 Dielectric Withstanding Voltage: AC 500V R.M.S.  
 Insulation Resistance : 500Megohms Min. At DC 500V  
 Contact Resistance: 30Milliohms. Max.  
 Operating Temperature: -55°C ~ +105°C  
 Contact: Brass , Gold Flashed  
 Insulator: P.B.T. UL94V-0 Rated  
 Shell: Cold Rolled Steel, Nickel , Tin, Zinc Plated



Recommended P.C.B. Layout



Circuits	A±0.25	B±0.25	C±0.25
09	30.80	25.00	16.92
15	39.20	33.32	25.25
19	44.80	38.86	30.60
23	50.30	44.30	36.10
25	53.05	47.04	38.96
37	69.40	63.50	55.42

**4UCON** 元化興業股份有限公司  
 4UCON TECHNOLOGY INC.

DRAWING No.		APPROVED BY		UNLESS OTHERWISE SPECIFIED TOLERANCES ARE .X ±0.38 .XX ±0.25 ANG.
14105		MEI		
		CHECKED BY BECKY		
		DRAWING BY TCF		UNIT mm
SCALE	NONE	REV.	AO	

NO.	REV.	REVISIONS	CHK	DATE
△	AO	NEW RELEASE		