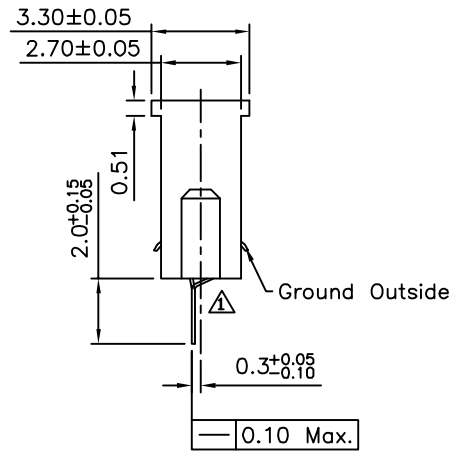
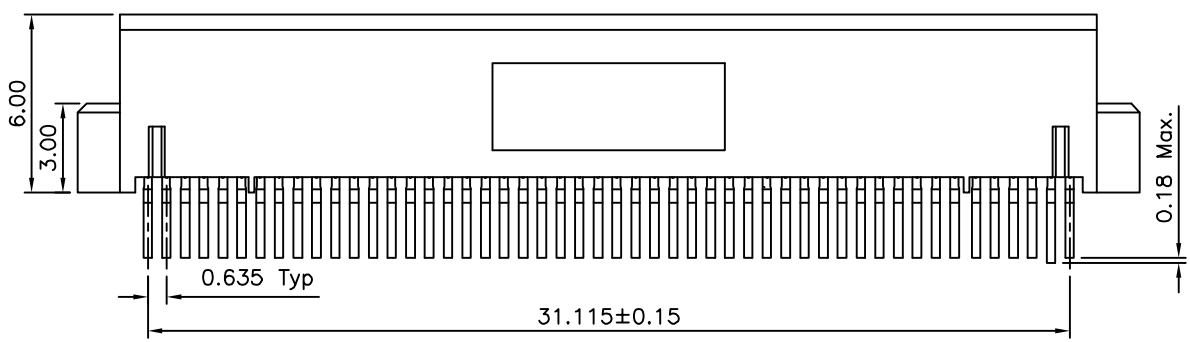
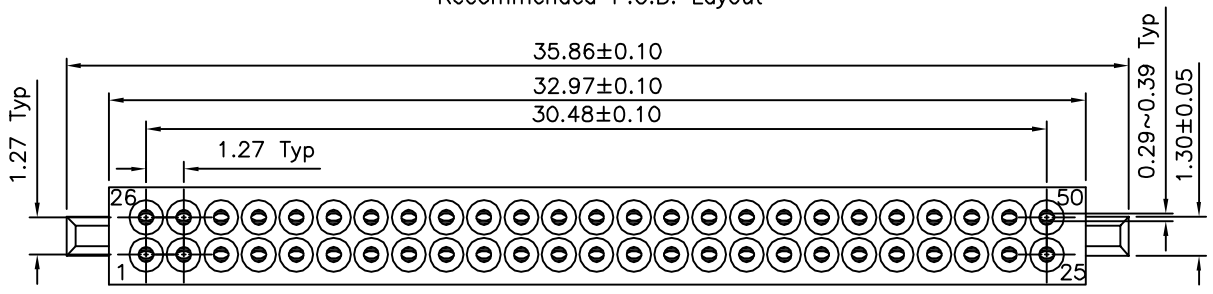


Recommended P.C.B. Layout



**SPECIFICATION**

- 1.General Characteristics**  
CF Card Socket 50P SMT 90° Off Set=0.3mm  
Selective Gold Flash
- 2.Material&Finish**  
Insulator:LCP,Black  
Contact:Phosphor Bronze,  
Gold Plated On Contact Area,  
Tin PLated On Solder Tails,Over Nickel
- 3.Electrical Characteristics**  
Current Rating:0.5A  
Contact Resistance:40 Milliohms Max.  
Insulation Resistance:1000 Megaohms Min.  
Dielectric Withstanding Voltage:500V AC
- 4.Mechanical Characteristics**  
Contact Retention To Housing:4.9N Min.  
Mating Force:28.8N Max.  
Unmating Force:4.9N Min.  
Durability:10000 Cycles
- 5.RoHS Compliant**

**4UCON** 元化興業股份有限公司  
4UCON TECHNOLOGY INC.

DRAWING No.		APPROVED BY		UNLESS OTHERWISE SPECIFIED TOLERANCES ARE .X ±0.20 .XX ±0.10 ANG.
14111		MEI		
		CHECKED BY HZF		
		DRAWING BY CYP		
SCALE	NONE	REV.	B2	UNIT mm

NO.	REV.	REVISIONS	CHK	DATE
△	B2	Modify Data	HZF	08/17/2015
△	B1	Modify Data	HZF	10/28/2013
△	B0	NEW RELEASE	HZF	11/22/2008