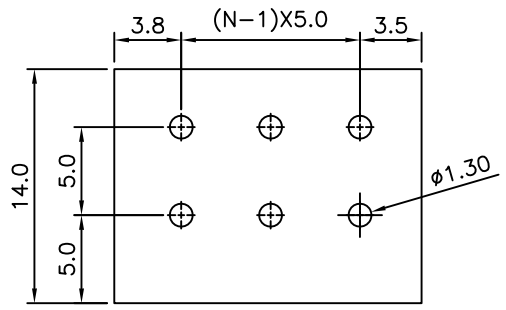
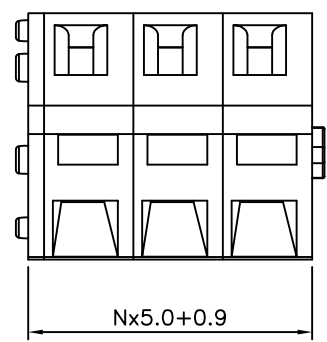
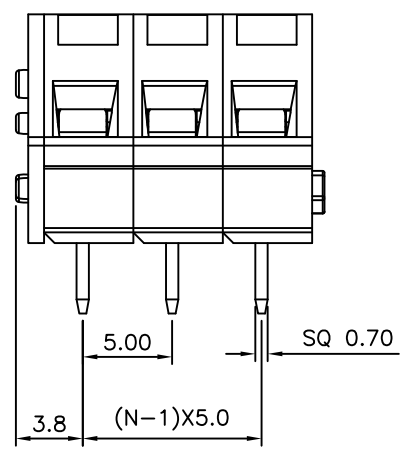


**SPECIFICATIONS**

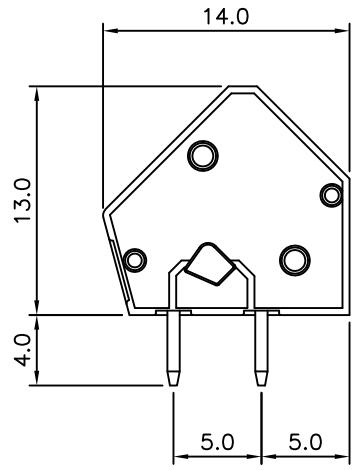
Voltage Rating:300VAC  
 Current Rating:15 Amps/Way Max  
 Wire Strip Length:6-7mm  
 Withstanding Voltage:1.6Kv  
 Wire Range:12-28AWG  
 Operating Temperature:-30°C To +105°C  
 Soldering Temperature:245°C±10°C/5 Sec  
 Contact(Metal Housing):Brass  
 Wire Guard:Stainless Steel  
 Surface Of Solder Tail:Tin Plated  
 Insulator Body(Housing):Thermoplastic(UL94V-0)



P.B.C. Layout



N=Number Of Contacts



**4UCON** 元化興業股份有限公司  
 4UCON TECHNOLOGY INC.

DRAWING No.		APPROVED BY		UNLESS OTHERWISE SPECIFIED TOLERANCES ARE X. ±0.50 .X ±0.30 .XX ±0.10 ANG. ±1°
18799		MEI		
		SHIN		
		DRAWING BY		
		INGRID		
SCALE	NONE	REV.	A0	UNIT mm

NO.	REV.	REVISIONS	CHK	DATE
△ A0		NEW RELEASE	SHIN	06/17/2007