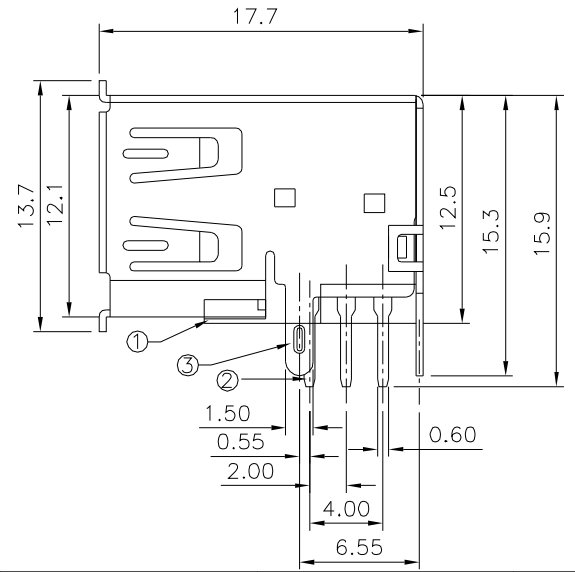
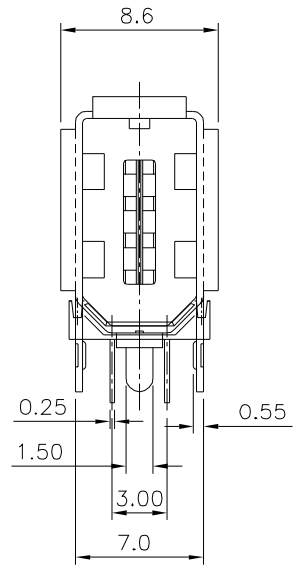
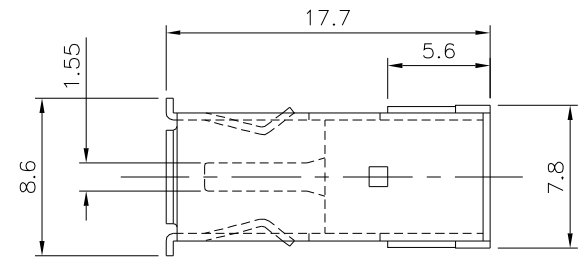


Recommended P.C.B. Layout
Component Side



RoHS Compliant

No.	Name	Material	Remark	Q'ty
①	Housing	PBT	Black	1
②	Terminal	Brass	Gold Flash On Contact Area, Tin Plated On Solder Tails, Over Nickel	6
③	Shell	Brass	Nickel Plated	1

4UCON 元化興業股份有限公司
4UCON TECHNOLOGY INC.

DRAWING No.		APPROVED BY		UNLESS OTHERWISE SPECIFIED TOLERANCES ARE .X ±0.20 X.* ±2.0° .XX ±0.10 X.* ±1.0° .XX* ±0.5°
19090		MEI		
		CHECKED BY		
		HZF		
		DRAWING BY		
		CYP		
SCALE	NONE	REV.	A0	UNIT mm

△ A0	NEW RELEASE	HZF	07/03/2016
NO. REV.	REVISIONS	CHK	DATE