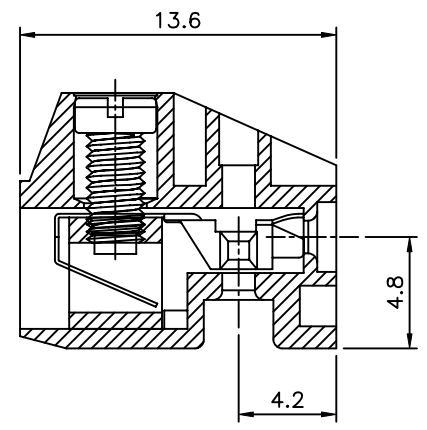
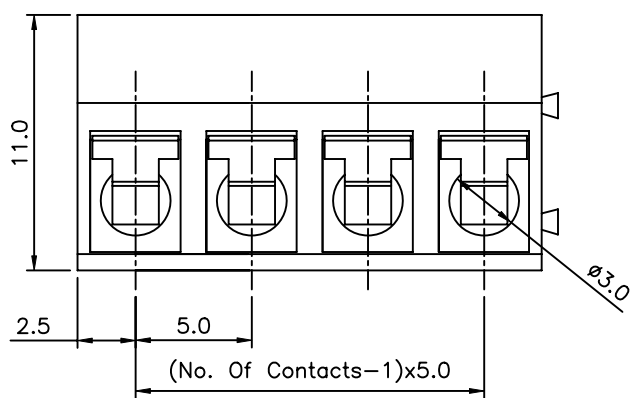
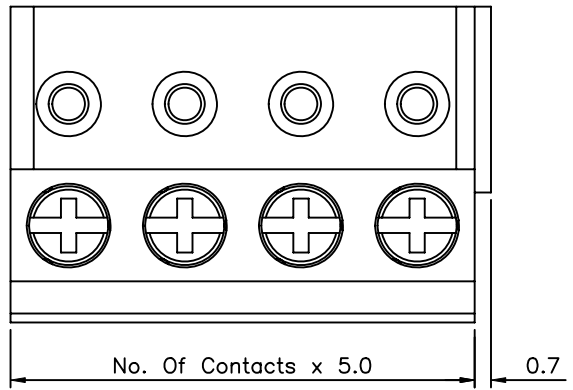


**SPECIFICATION**

Current Rating:10Amps/Way Max.  
 Voltage Rating:300V AC  
 Contact Resistance:20Milliohms Max.  
 Insulation Resistance:5000Megaohms/1000V  
 Withstanding Voltage:2500V AC(1Minute) Test Time=60Sec./1Pcs  
 Operation Temperature:-33°C To +120°C  
 Soldering Reliability Temperature:250°C±10°C,5Sec. Max.  
 Wire Range:14~22AWG  
 Torque:4Kgf.cm/M2.6  
 Contact(Metal Housing):Brass(CuZn)  
 Terminal Screw:Steel Galvanized With Cr3+ Plated  
 Wire Guard:Phosphor Bronze,Tin Plated  
 Insulator Body(Housing):Polyamide(Glass Filled) UL94V-0,Blue  
 RoHS Compliant



**4UCON** 元化興業股份有限公司  
 4UCON TECHNOLOGY INC.

DRAWING No.		APPROVED BY		UNLESS OTHERWISE SPECIFIED TOLERANCES ARE X. ±0.50 .X ±0.30 .XX ±0.20 ANG. ±1°
19364		MEI		
		CHECKED BY	HZF	
		DRAWING BY	LXX	
SCALE	NONE	REV.	A0	UNIT
				mm

NO.	REV.	REVISIONS	CHK	DATE
△ A0		NEW RELEASE	HZF	04/29/2009