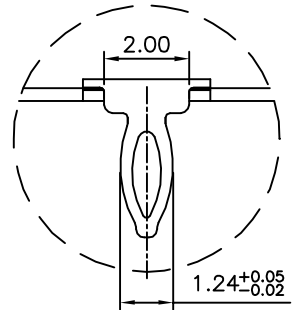
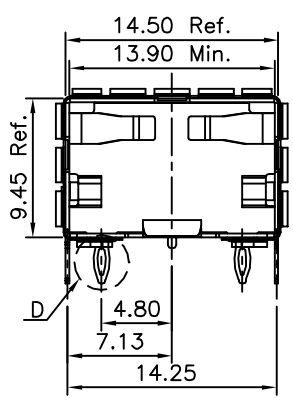


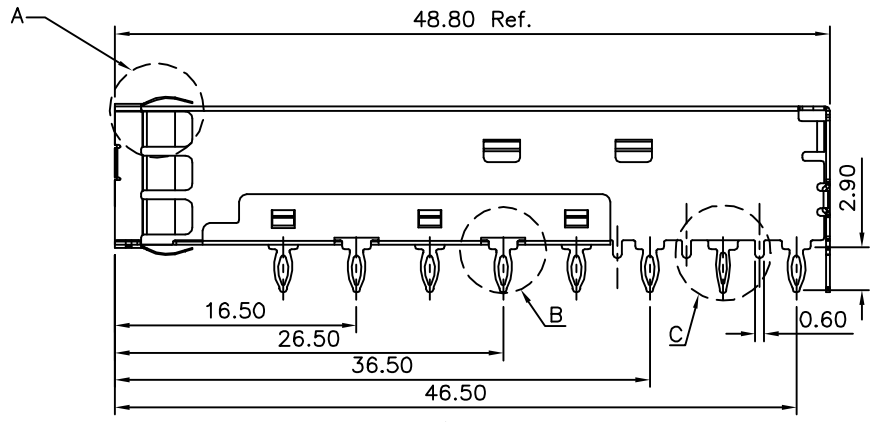
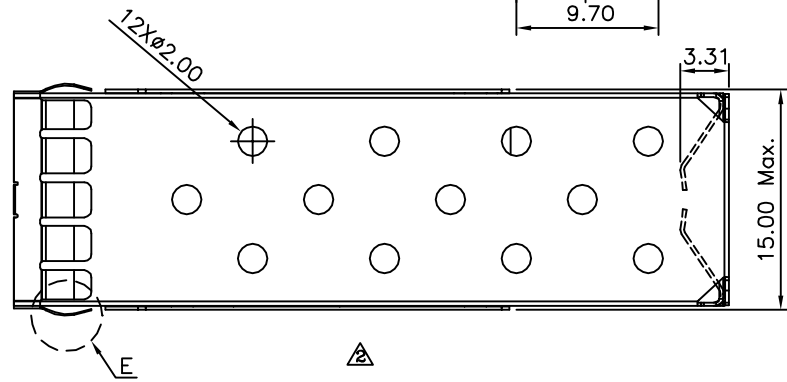
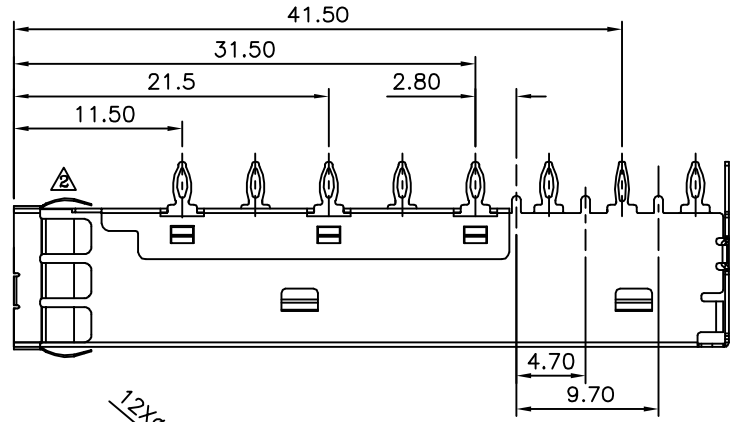
Detail A



Detail B

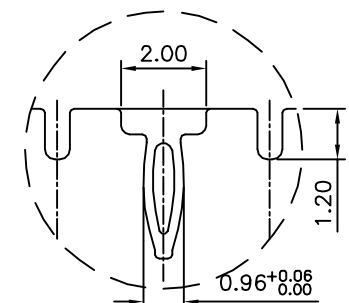


Detail C

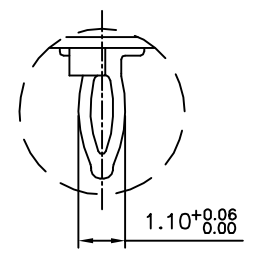


Detail D

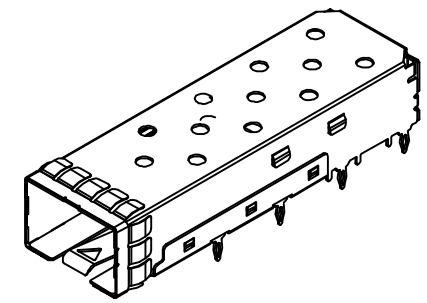
△ SPECIFICATION
 Shell: Copper Alloy,
 Electrolytic Bright Nickel Plated
 Spring: Copper Alloy
 Electrolytic Bright Nickel Plated
 RoHS Compliant



Detail C



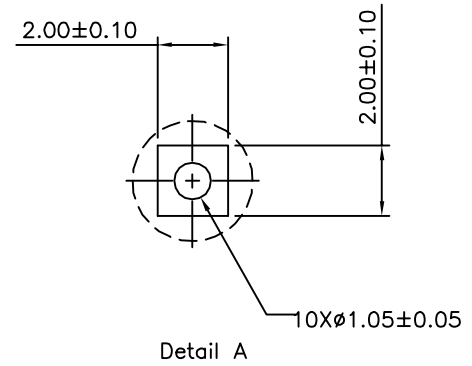
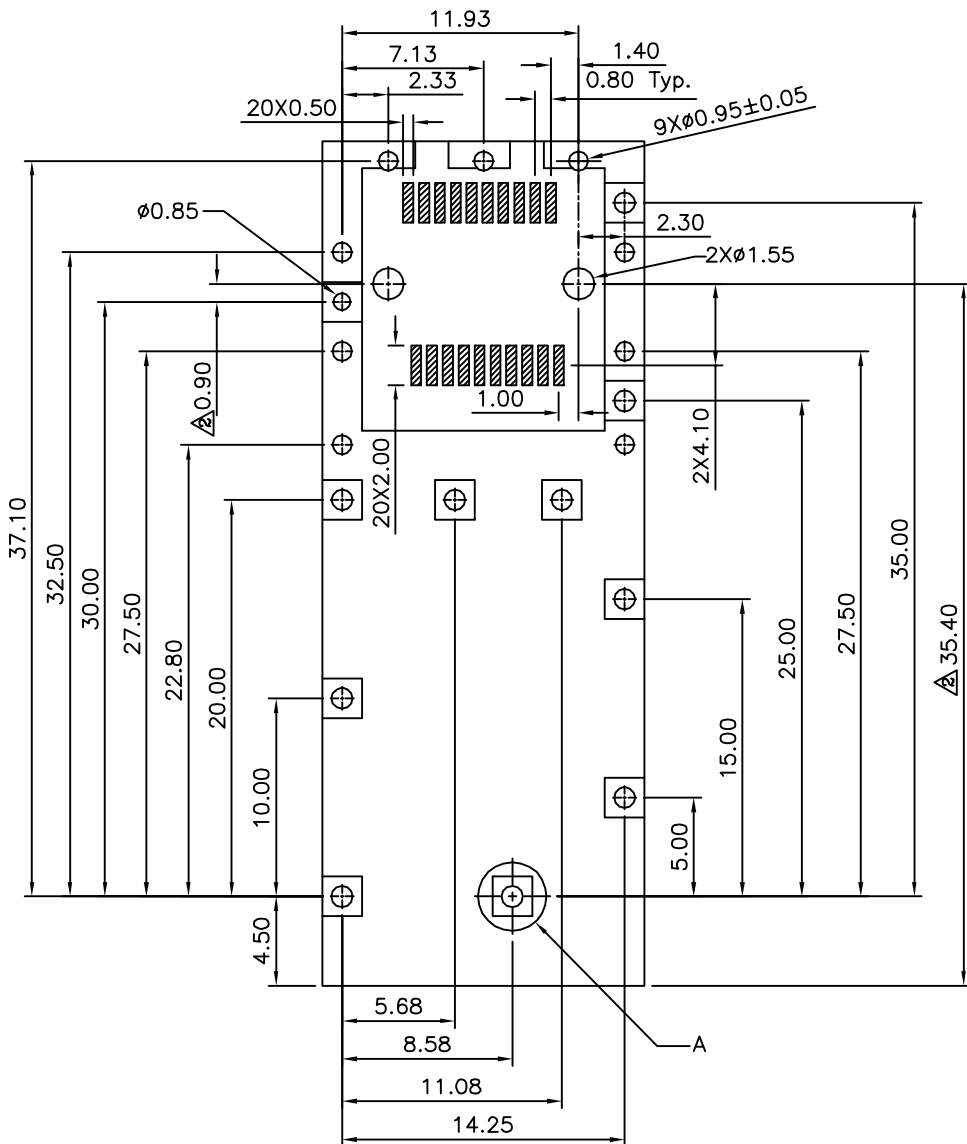
Detail D



4UCON 元化興業股份有限公司
 4UCON TECHNOLOGY INC.

DRAWING No.		APPROVED BY		UNLESS OTHERWISE SPECIFIED TOLERANCES ARE .X ±0.30 .XX ±0.20 .XXX ±0.10 ANG. ±3°
19523		MEI		
		CHECKED BY HZF		
		DRAWING BY YBL		
SCALE	NONE	REV.	A2	UNIT mm

NO.	REV.	REVISIONS	CHK	DATE
△ A2		Modify Data	HZF	11/04/2013
△ A1		Add PCB Layout	HZF	05/06/2009
△ A0		NEW RELEASE	HZF	10/30/2008



Recommended P.C.B. Layout(Top Side)
(PCB Board Tolerance±0.05)

4UCON 元化興業股份有限公司
4UCON TECHNOLOGY INC.

DRAWING No.		APPROVED BY		UNLESS OTHERWISE SPECIFIED TOLERANCES ARE ∆.X ±0.10 .XX ±0.05 .XXX ±0.01 ANG. ±3°
19523		MEI		
		CHECKED BY		
		HZF		
		DRAWING BY		
		YBL		
SCALE	NONE	REV.	A2	UNIT
				mm

NO.	REV.	REVISIONS	CHK	DATE
∆	A2	Modify Data	HZF	11/04/2013
∆	A1	Add PCB Layout	HZF	05/06/2009
∆	A0	NEW RELEASE	HZF	10/30/2008