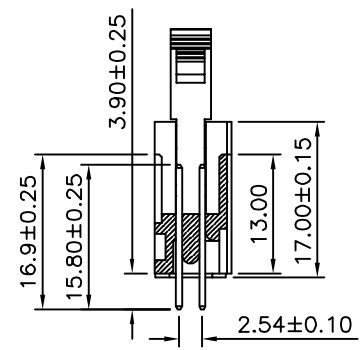
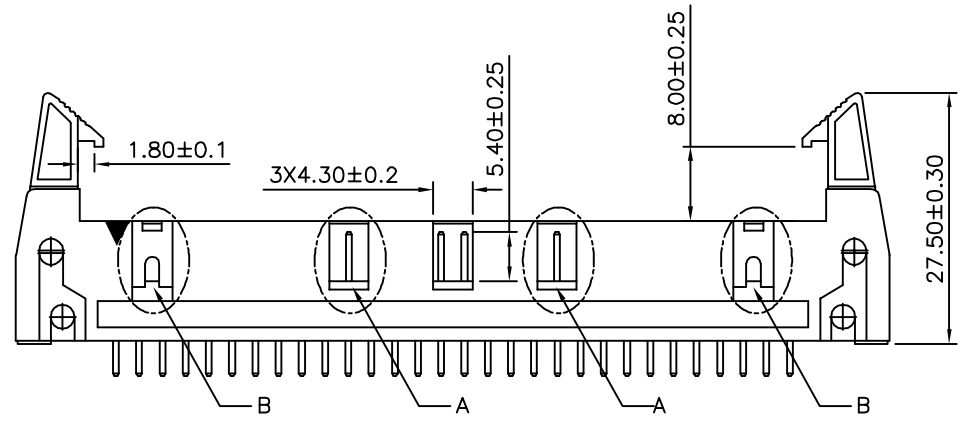
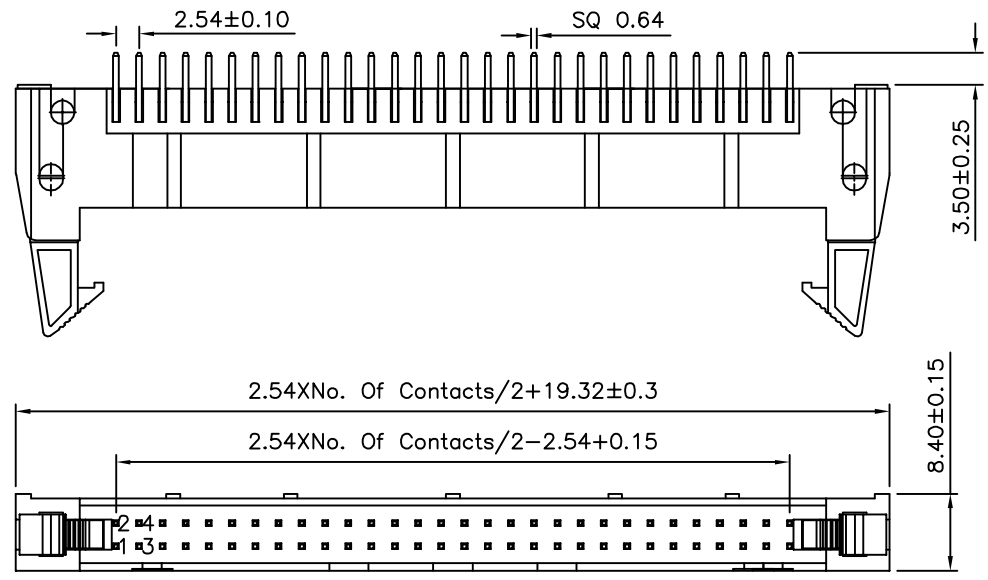
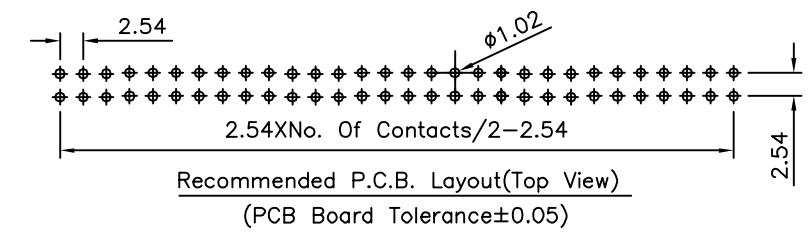


**SPECIFICATION**  
 Current Rating:3 Amps  
 Withstand Voltage:1000V AC  
 Contact Resistance:20 Milliohms Max.  
 Insulation Resistance:1000 Megaohms Min.  
 Operation Temperature:-40°C~+105°C  
 ⚠ Insulator:PBT(UL94V-0),Gray  
 Contact:Brass,Gold Flash Over Nickel  
 Only 60P~64P With Slot "A"  
 Less Than 18 Pin Without Slot "B"  
 RoHS Compliant



**4UCON** 元化興業股份有限公司  
 4UCON TECHNOLOGY INC.

DRAWING No.		APPROVED BY		UNLESS OTHERWISE SPECIFIED TOLERANCES ARE X. $\pm 0.25$ X.' $\pm 2^\circ$ .X $\pm 0.20$ .X' $\pm 1.5^\circ$ .XX $\pm 0.15$ .XX' $\pm 1^\circ$ .XXX $\pm 0.10$ .XXX' $\pm 0.5^\circ$	
20811		MEI			
		CHECKED BY			
		HZF			
		DRAWING BY			
		CYP			
SCALE	NONE	REV.	B1	UNIT	mm

NO. REV.	B1	Modify Data	HZF	03/21/2016
	B0	NEW RELEASE	HZF	05/14/2015
	REVISIONS		CHK	DATE