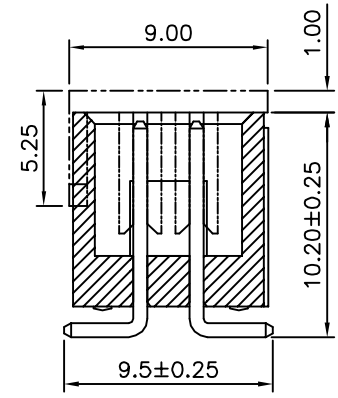
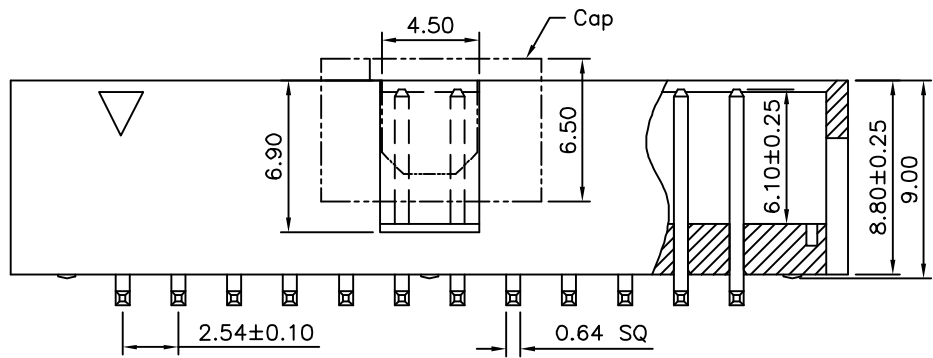
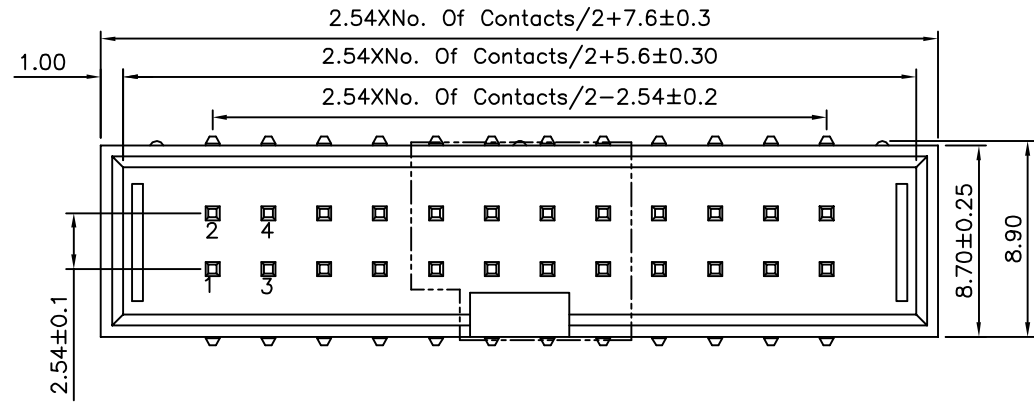


Recommended P.C.B. Layout
PCB Tolerance: ±0.05 (Top View)



SPECIFICATION
 Current Rating: 3 Amps
 Withstand Voltage: 1000V AC
 Contact Resistance: 20 Milliohms Max.
 Insulation Resistance: 1000 Megaohms Min.
 Operation Temperature: -40°C ~ +105°C
 Insulator: PA6T(UL94V-0), Black
 Contact: Brass, Gold Flash Over Nickel
 RoHS Compliant

4UCON 元化興業股份有限公司
 4UCON TECHNOLOGY INC.

DRAWING No.		APPROVED BY		UNLESS OTHERWISE SPECIFIED TOLERANCES ARE X. ±0.25 X.* ±2" .X ±0.20 .X* ±1.5" .XX ±0.15 .XX* ±1" .XXX ±0.10 .XXX* ±0.5"	
20863		MEI			
		CHECKED BY	HZF		
		DRAWING BY	CYP		
SCALE	NONE	REV.	A0	UNIT	mm

NO.	REV.	REVISIONS	CHK	DATE
△ A0		NEW RELEASE	HZF	11/27/2015