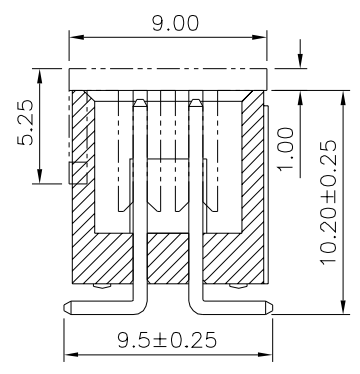
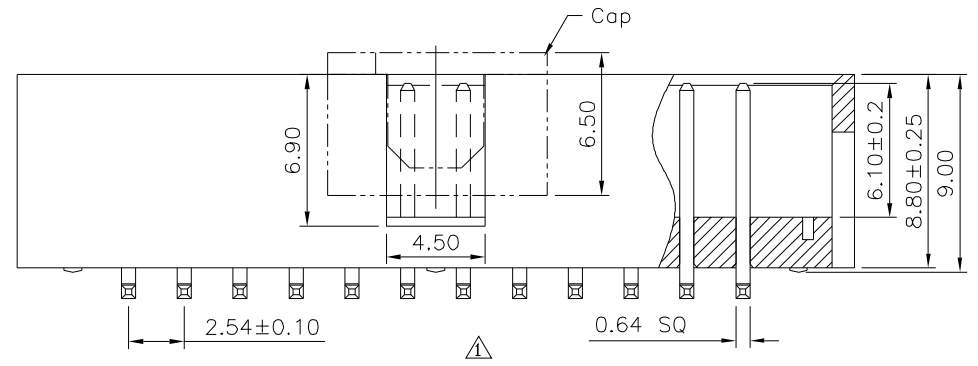
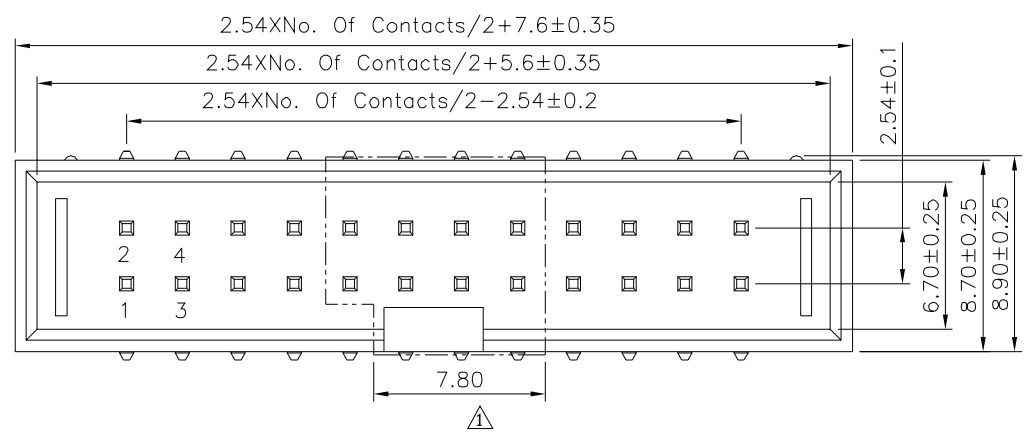


Recommended P.C.B. Layout  
 PCB Tolerance:±0.05 (Top View)

**SPECIFICATION**  
 Current Rating:3 Amps  
 Withstand Voltage:1000V AC Min./Minute  
 Contact Resistance:20 Milliohms Max.  
 Insulation Resistance:1000 Megaohms Min.  
 Operation Temperature:-40°C~+105°C  
 Insulator:PA6T(UL94V-0),Black  
 Contact:Brass,Gold Flash Over Nickel  
 RoHS Compliant



**4UCON** 元化興業股份有限公司  
 4UCON TECHNOLOGY INC.

DRAWING No.		APPROVED BY		UNLESS OTHERWISE SPECIFIED						
21800		MEI		TOLERANCES ARE						
		CHECKED BY		X. ±0.25 X.* ±2"						
		HZF		.X ±0.20 .X* ±1.5"						
DRAWING BY		CYP		.XX ±0.15 .XX* ±1"		△ A1	Modify Data	HZF	01/14/2019	
SCALE		NONE		.XXX ±0.10 .XXX* ±0.5"		△ A0	NEW RELEASE	HZF	12/01/2015	
REV.		A1		UNIT		NO.	REV.	REVISIONS	CHK	DATE
				mm						