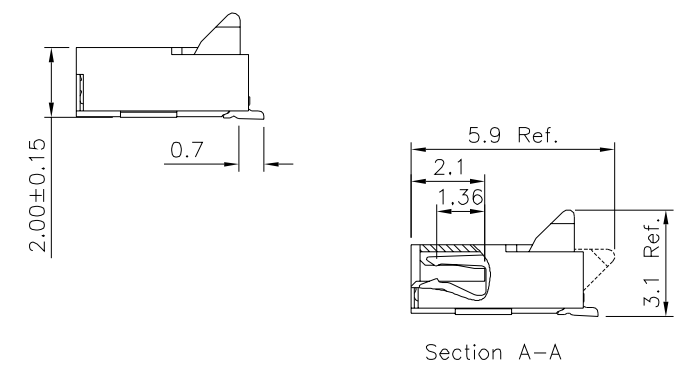
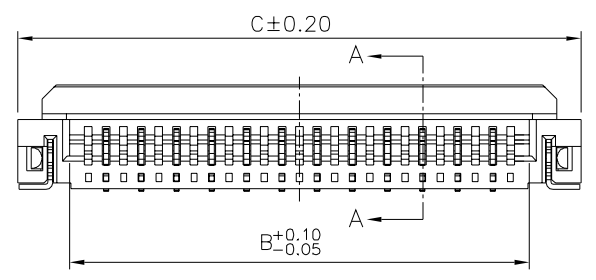
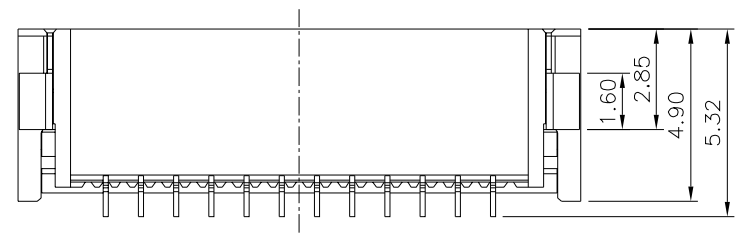
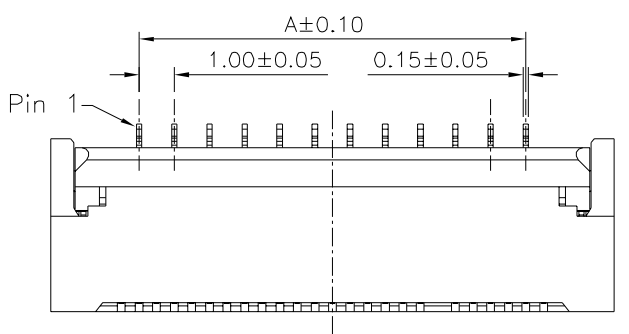
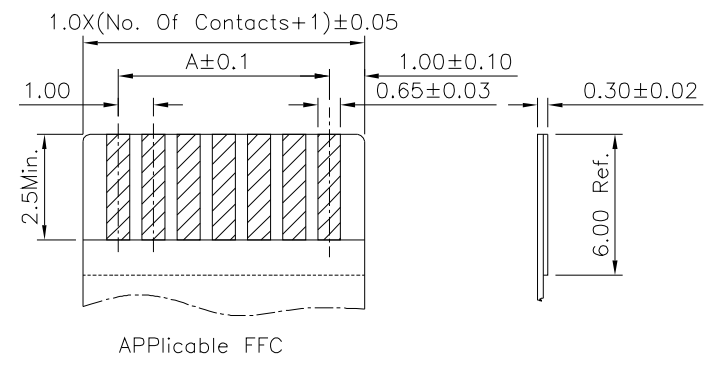
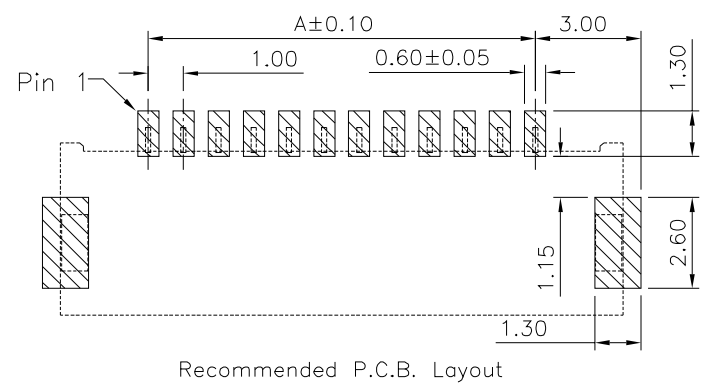


SPECIFICATION

- 1. Material & Finish
 Housing: LCP(UL94V-0), Nature
 Contact: Phosphor Bronze, Gold Flash Over All,
 Over Nickel
 Cover: LCP(UL94V-0), Black
 Leg: Brass, Tin Plated
- 2. Electrical Characteristics
 Current Rating: 0.5A AC/DC
 Voltage Rating: 50V AC/DC
- 3. Environmental Characteristics
 Temperature Range: -40°C ~ +105°C
- 4. RoHS Compliant



Pin	A	B	C	Pin	A	B	C
*4	3.00	5.05	8.00	*18	17.00	19.05	22.00
5	4.00	6.05	9.00	19	18.00	20.05	23.00
*6	5.00	7.05	10.00	*20	19.00	21.05	24.00
*7	6.00	8.05	11.00	21	20.00	22.05	25.00
*8	7.00	9.05	12.00	*22	21.00	23.05	26.00
9	8.00	10.05	13.00	23	22.00	24.05	27.00
10	9.00	11.05	14.00	24	23.00	25.05	28.00
11	10.00	12.05	15.00	25	24.00	26.05	29.00
12	11.00	13.05	16.00	26	25.00	27.05	30.00
13	12.00	14.05	17.00	27	26.00	28.05	31.00
14	13.00	15.05	18.00	28	27.00	29.05	32.00
15	14.00	16.05	19.00	29	28.00	30.05	33.00
16	15.00	17.05	20.00	*30	29.00	31.05	34.00
*17	16.00	18.05	21.00				

Note: The Mark Of "*" Are Tooled

4UCON 元化興業股份有限公司
 4UCON TECHNOLOGY INC.

DRAWING No.		APPROVED BY		UNLESS OTHERWISE SPECIFIED TOLERANCES ARE X ±0.5 XX ±0.25 XXX ±0.15 XXXX ±0.1 ANG. ±2°
22660		MEI		
		CHECKED BY		
HZF		DRAWING BY		
LSM		UNIT		mm
SCALE		REV.		
NONE		A0		NO. REV.

△ A0	NEW RELEASE	HZF	10/26/2023
NO. REV.	REVISIONS	CHK	DATE