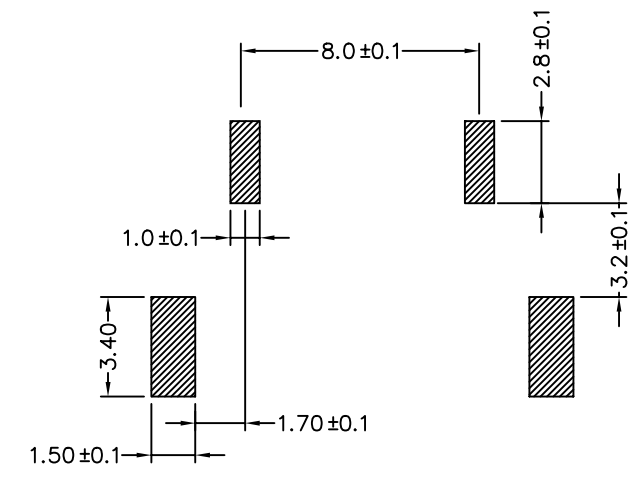
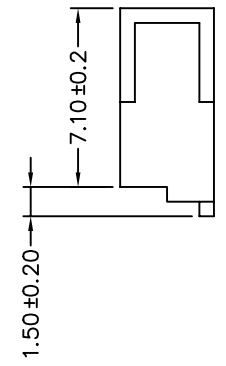
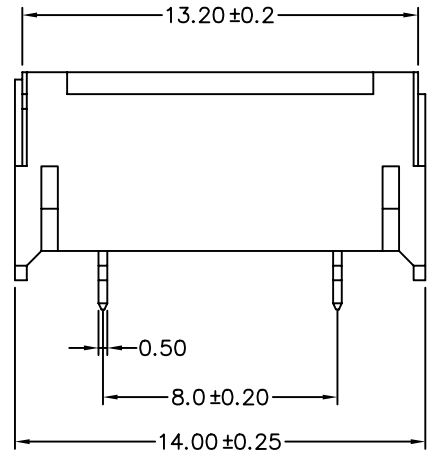
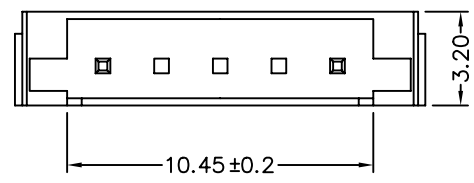


SPECIFICATIONS

Current Rating : 1A, AC, DC
 Voltage Rating : 130V AC, DC
 Temperature Range : -25°C to +85°C
 Contact Resistance : 20milliohms Max.
 Insulation Resistance : 1000Megohms Min.
 Withstanding Voltage : 500V AC/minute
 Terminal Material : Brass/Tin-plated
 Material : Nylon 6T, UL 94V-0
 Package:Tube



P.C.Board Layout

4UCON 元化興業股份有限公司
 4UCON TECHNOLOGY INC.

DRAWING No.
 10076

APPROVED BY MEI
 CHECKED BY BECKY
 DRAWING BY HZF

UNLESS OTHERWISE SPECIFIED
 TOLERANCES ARE
 .X ±0.38
 .XX ±0.25
 ANG.

SCALE NONE

REV. AO

UNIT mm

NO. REV.

AO NEW RELEASE

MEI

DATE

NO.	REV.	REVISIONS	CHK	DATE